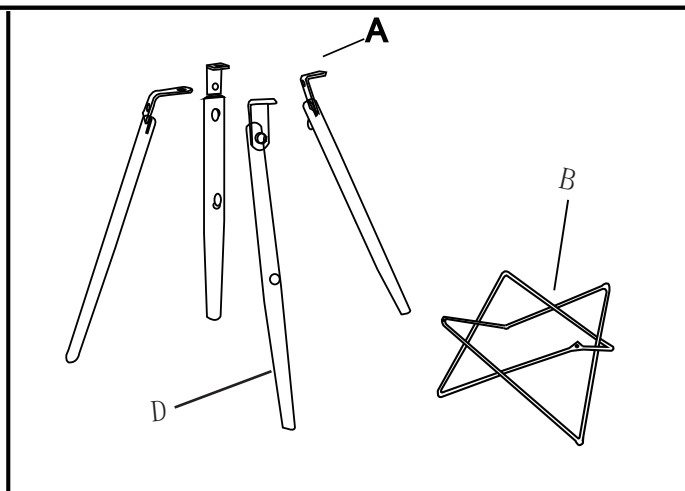
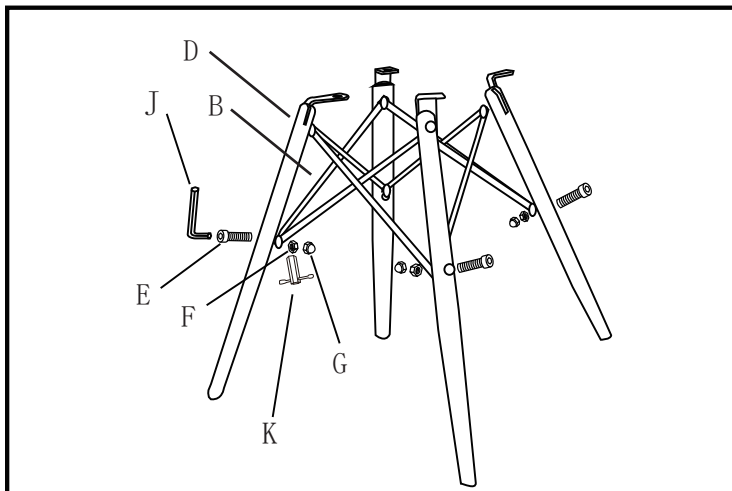
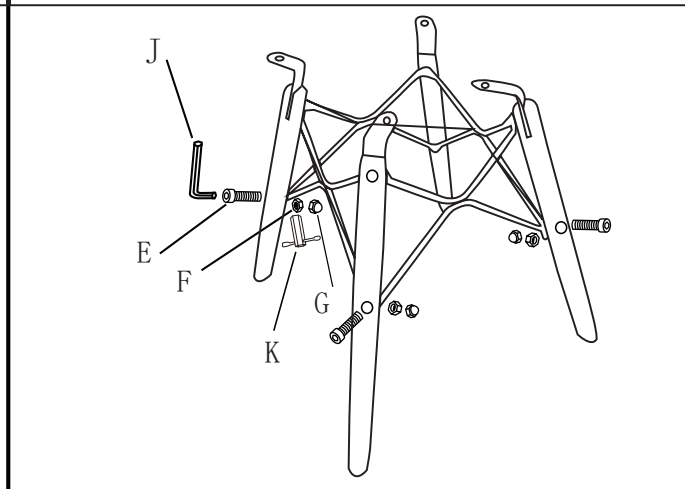
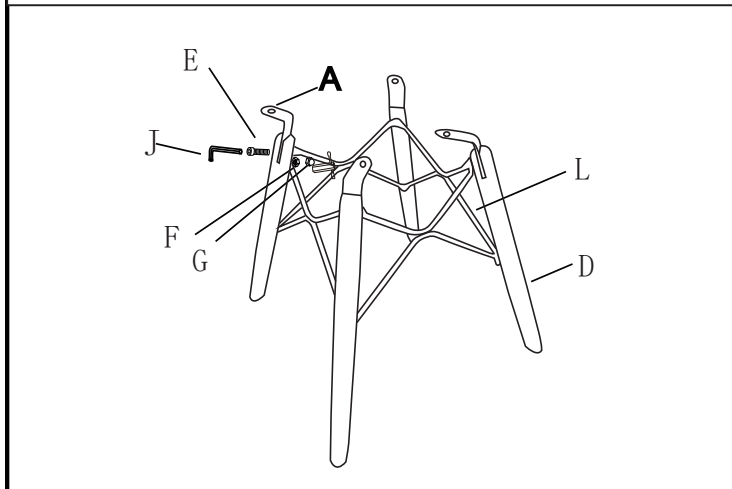


DISASSEMBLE AND ASSEMBLE



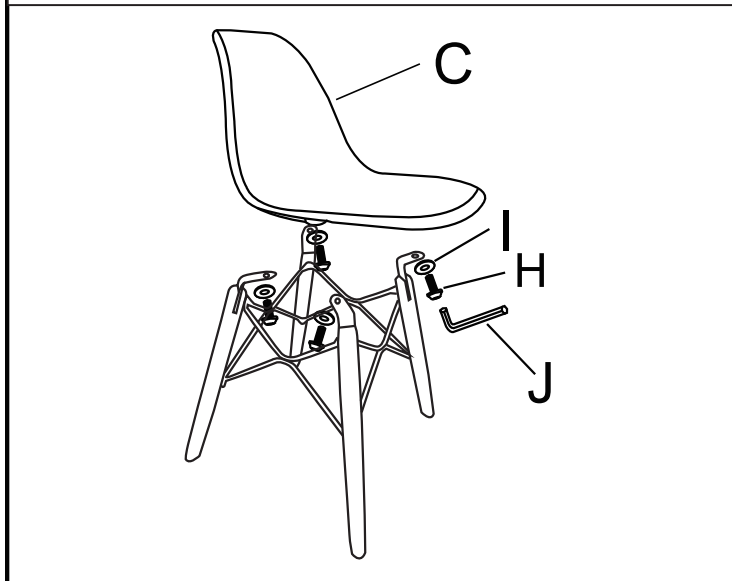
Stp1: take down "G";
 Stp2: "J"for "E", "K"for "F", contrarotate.
 Left parts do same steps


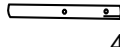

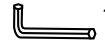





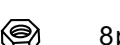


Stp3: take down "B", keep 'A'



Stp4: take up "L";

Stp5: "J"for "E", "K"for "F", twist tightl.
 Left parts do same steps
 Stp6: put "G"on "F"



A	 4pcs	D	 4pcs	G	 8pcs	J	 1pcs
B	 1pcs	E	 8pcs	H	 4pcs	K	 1pcs
C	 1pcs	F	 8pcs	I	 4pcs	L	 1pcs